

GCP

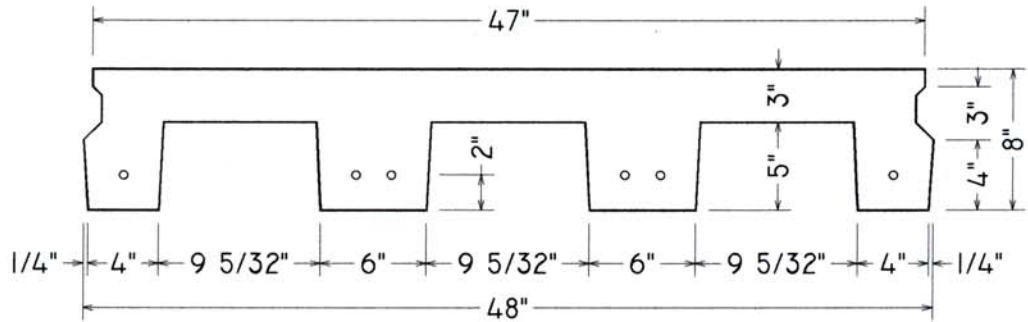
GULF COAST PRECAST, INC.

2506 Precast Court Fort Myers, FL 33916
Office: (239) 337-0021 Fax: (239) 337-0081

TABLE OF SUPERIMPOSED LOADS

STC = 50
IIC = 28
A = 249 IN.²
MI = 1278 IN.⁴
YT = 3.17"
YB = 4.83"
SHEAR WIDTH = 21"
WT. = 62 PSF

8" X 48" PRESTRESSED CONCRETE QUAD TEE PLANK UNTOPPED

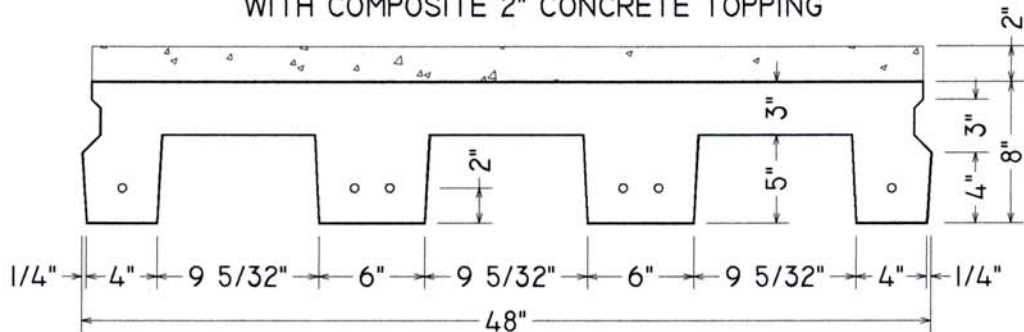


PLANK SPAN IN FEET

STRAND	12	14	16	18	20	22	24	26	28	30	32	34	36	38
4 - 7/16"Ø LL	257	241	191	140	103	76	55	40						
6 - 7/16"Ø LL		371	299	230	175	136	105	82	63	48				
8 - 7/16"Ø LL			324	268	216	170	134	106	84	66	52	40		
4 - 1/2"Ø LL		340	266	199	151	116	89	68	51	38				
5 - 1/2"Ø LL			338	256	197	154	121	95	75	58	44			
6 - 1/2"Ø LL		534	410	313	243	192	152	122	98	78	62	49		
7 - 1/2"Ø LL			365	342	267	211	169	136	110	89	72	58	47	
8 - 1/2"Ø LL				371	290	231	185	150	122	100	81	66	53	42

8" X 48" PRESTRESSED CONCRETE QUAD TEE PLANK WITH COMPOSITE 2" CONCRETE TOPPING

STC = 53
IIC = 28
AT = 96 IN.²
MI = 2228 IN.⁴
WT. = 87 PSF



STRAND	12	14	16	18	20	22	24	26	28	30	32	34	36	38
4 - 7/16"Ø LL	441	332	244	177	129	94	67	46	30					
6 - 7/16"Ø LL		469	377	288	219	168	130	99	76	56	38			
8 - 7/16"Ø LL			438	348	273	213	167	131	103	80	56	34		
4 - 1/2"Ø LL	596	452	338	251	190	144	109	82	61	43				
5 - 1/2"Ø LL		537	418	319	245	190	147	115	89	68	52	41		
6 - 1/2"Ø LL			499	387	299	235	185	147	117	92	72	51	31	
7 - 1/2"Ø LL			552	426	330	261	207	166	133	106	85	62	41	
8 - 1/2"Ø LL				464	362	287	229	184	149	120	97	72	50	31

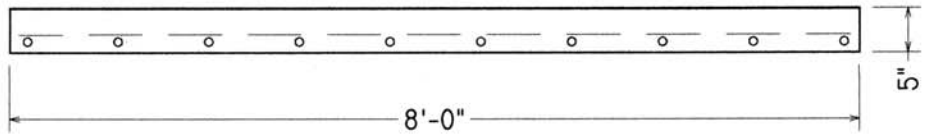
GCP

GULF COAST PRECAST, INC.
 2506 Precast Court Fort Myers, FL 33916
 Office: (239) 337-0021 Fax: (239) 337-0081

TABLE OF SUPERIMPOSED LOADS

A = 480 IN²
 WT = 500 PLF
 WT = 62.5 PSF

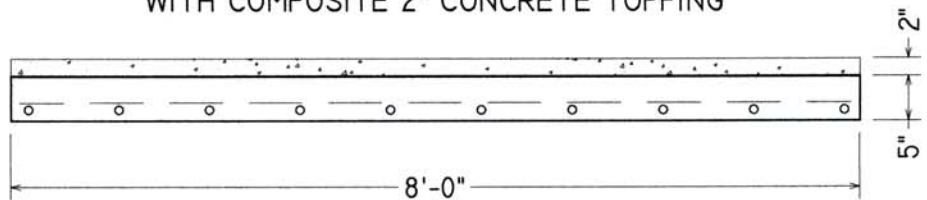
5" X 96" SOLID PRESTRESSED CONCRETE PLANK
 UNTOPPED



STRAND	12	14	16	18	20	22	24
6 - 7/16"Ø LL	142	90					
8 - 7/16"Ø LL	197	131	88				
10 - 7/16"Ø LL		169	118	84			
12 - 7/16"Ø LL		202	144	104	75		
14 - 7/16"Ø LL			168	122	89	65	
16 - 7/16"Ø LL			190	139	103	75	60

A = 672 IN²
 WT = 700 PLF
 WT = 87.5 PSF

5" X 96" SOLID PRESTRESSED CONCRETE PLANK
 WITH COMPOSITE 2" CONCRETE TOPPING



STRAND	12	14	16	18	20	22	24
6 - 7/16"Ø LL	256	166	90				
8 - 7/16"Ø LL	355	238	158	102			
10 - 7/16"Ø LL		304	190	130	100		
12 - 7/16"Ø LL		364	240	156	105		
14 - 7/16"Ø LL			285	183	116	98	
16 - 7/16"Ø LL			342	238	155	100	75

CONSULT YOUR LOCAL MANUFACTURER REGARDING SPECIFIC LOAD INFORMATION AND ENGINEERING

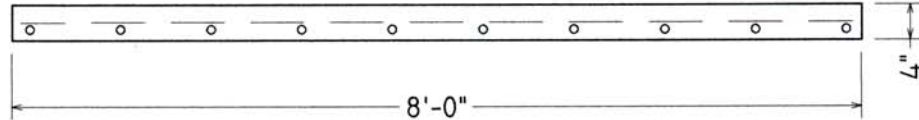
GCP

GULF COAST PRECAST, INC.
 2506 Precast Court Fort Myers, FL 33916
 Office: (239) 337-0021 Fax: (239) 337-0081

TABLE OF SUPERIMPOSED LOADS

A = 480 IN.²
 I = 512 IN.⁴
 WT = 400 PLF
 WT = 50 PSF

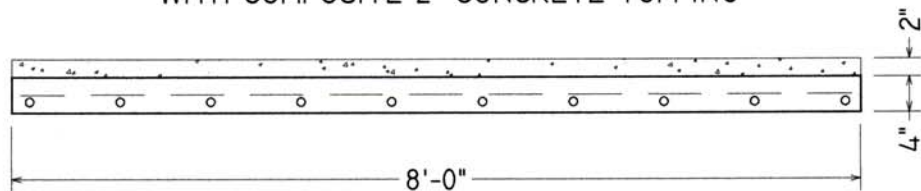
4" X 96" SOLID PRESTRESSED CONCRETE PLANK
 UNTOPPED



STRAND	12	13	14	15	16	17	18	19	20
5 - 7/16"Ø LL	76	59	44						
6 - 7/16"Ø LL	95	75	60	47					
7 - 7/16"Ø LL	113	91	73	59	46				
8 - 7/16"Ø LL	132	107	86	70	55				
10 - 7/16"Ø LL	164	133	110	90	74	61			
12 - 7/16"Ø LL	193	158	130	108	90	76	63		
14 - 7/16"Ø LL	219	180	150	125	105	88	74	63	
16 - 7/16"Ø LL	239	198	166	138	117	99	84	71	60

A = 576 IN.²
 I = 1526 IN.⁴
 WT = 600 PLF
 WT = 75 PSF

4" X 96" SOLID PRESTRESSED CONCRETE PLANK
 WITH COMPOSITE 2" CONCRETE TOPPING



STRAND	12	13	14	15	16	17	18	19	20
5 - 7/16"Ø LL	145	116	94	70					
6 - 7/16"Ø LL	175	140	113	84					
7 - 7/16"Ø LL	207	167	136	103	68				
8 - 7/16"Ø LL	239	194	159	121	88				
10 - 7/16"Ø LL	295	243	200	157	120	89			
12 - 7/16"Ø LL		286	237	191	150	116	87		
14 - 7/16"Ø LL			270	225	179	142	111	85	
16 - 7/16"Ø LL			300	254	207	167	134	105	81

CONSULT YOUR LOCAL MANUFACTURER REGARDING SPECIFIC LOAD INFORMATION AND ENGINEERING