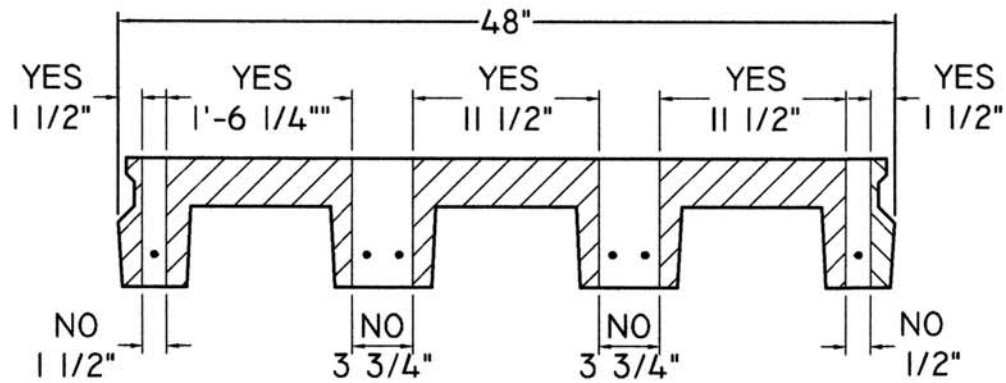


GCP

GULF COAST PRECAST, INC.
2506 Precast Court Fort Myers, FL 33916
Office: (239) 337-0021 Fax: (239) 337-0081

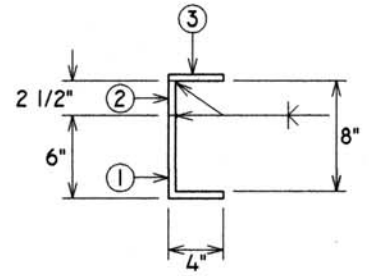
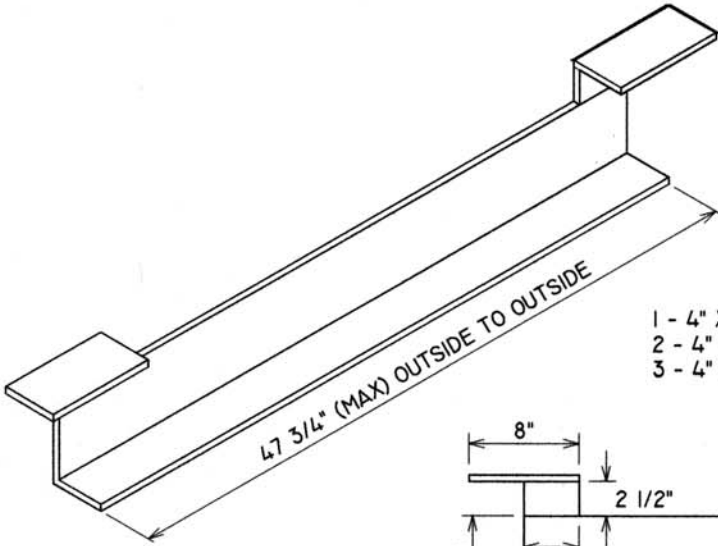
ALLOWABLE HOLE AREAS



NOTE:
SHADED AREAS ABOVE CAN BE CUT OR CORED
WITHOUT DAMAGING PLANK REINFORCING

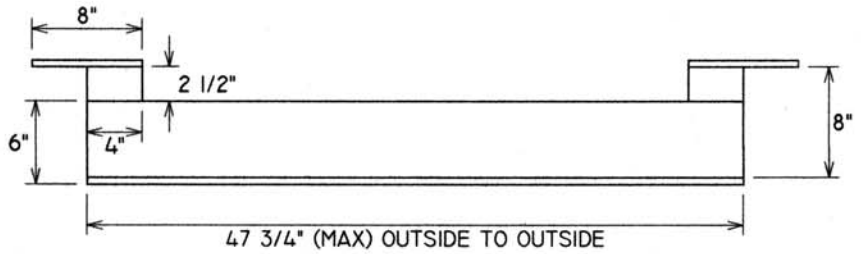
GCP

GULF COAST PRECAST, INC.
 2506 Precast Court Fort Myers, FL 33916
 Office: (239) 337-0021 Fax: (239) 337-0081



- 1 - 4" X 6" X 1/2" STEEL ANGLE
- 2 - 4" X 2 1/2" X 1/2" STEEL PLATE
- 3 - 4" X 8" X 1/2" STEEL PLATE

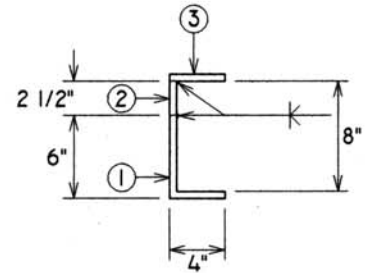
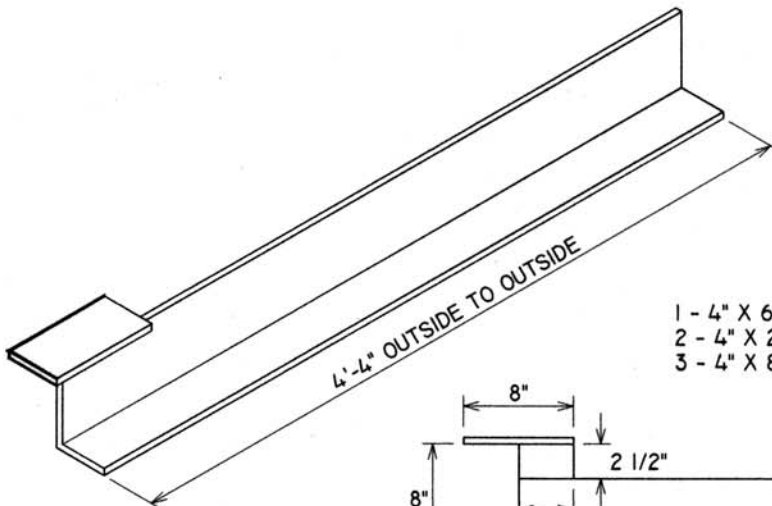
SIDE VIEW



FRONT VIEW

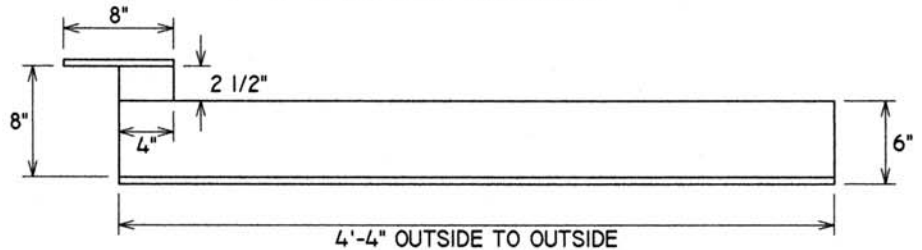
HEADER DETAIL - G.C.P. 8" PRECAST HEADER

SCALE: 1" = 1'-0"



- 1 - 4" X 6" X 1/2" STEEL ANGLE
- 2 - 4" X 2 1/2" X 1/2" STEEL PLATE
- 3 - 4" X 8" X 1/2" STEEL PLATE

SIDE VIEW



FRONT VIEW

R.H. HEADER DETAIL - G.C.P. 8" PRECAST HEADER

SCALE: 1" = 1'-0"

(LEFT HAND HEADER MIRROR OF ABOVE)