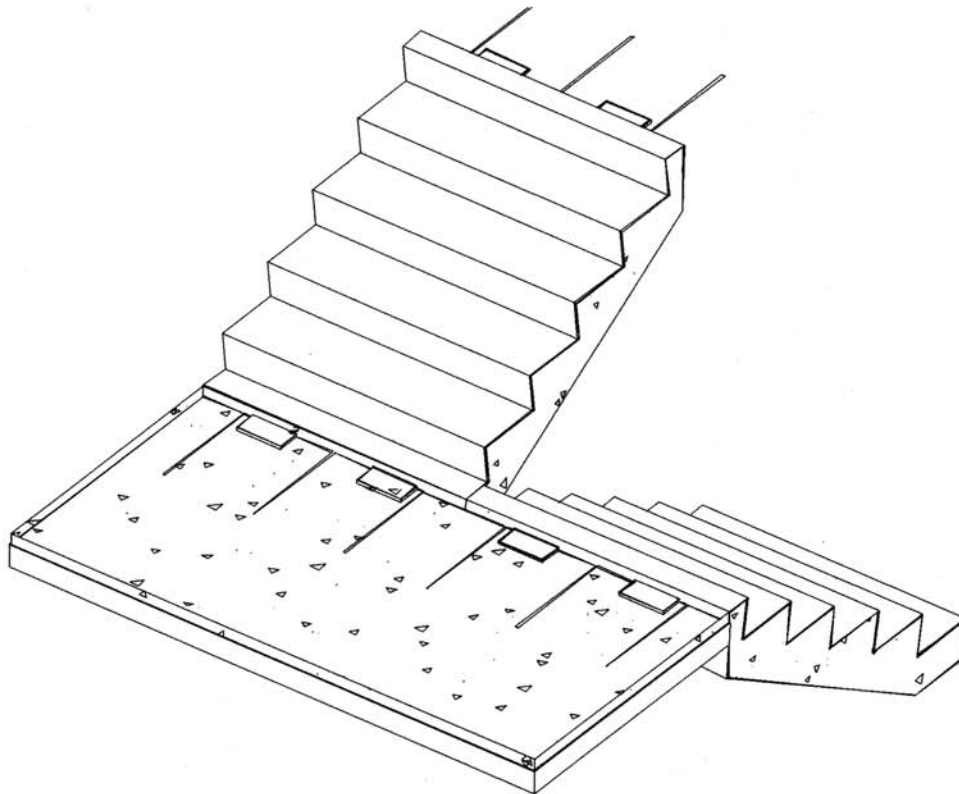


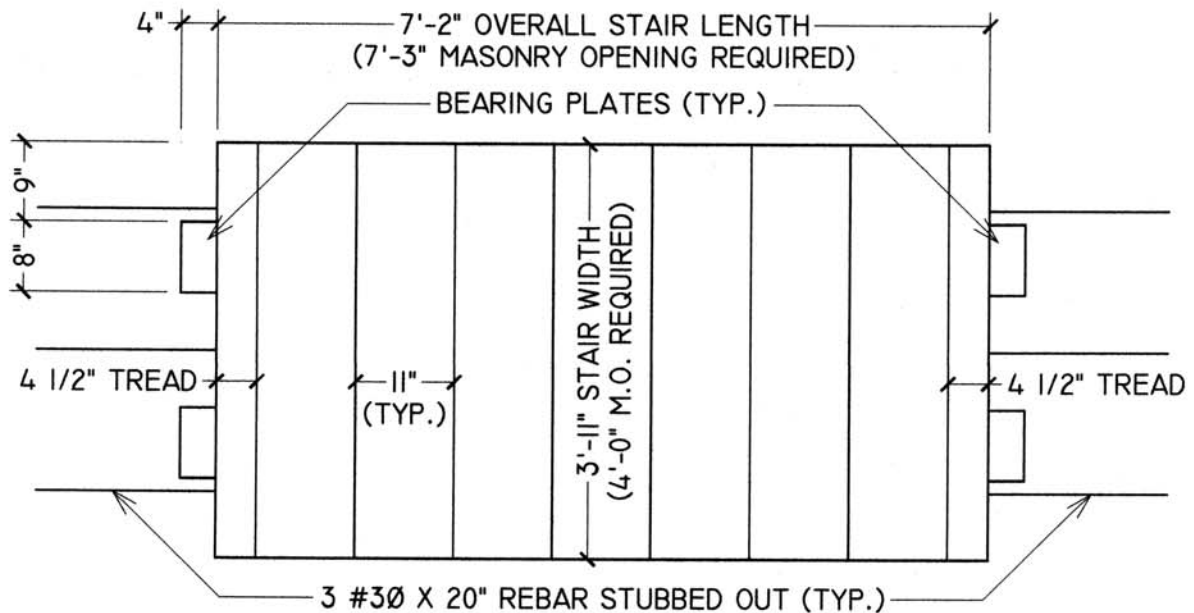
GCP

GULF COAST PRECAST, INC.
2506 Precast Court Fort Myers, FL 33916
Office: (239) 337-0021 Fax: (239) 337-0081



LIFE SAFETY STAIR DETAILS

THE LIFE SAFETY CODE STAIR HAS 7" RISERS AND 11" TREADS. THE AVAILABLE STAIR WIDTHS ARE: 3'-0", 3'-6", 3'-8", 3'-11" AND 4'-6". STAIR RUNS ARE CAST FROM 3 TREADS AND RISERS UP TO A MAXIMUM OF 18 TREADS AND RISERS AS A SINGLE UNIT. PRECAST STAIRS MEET THE SOUTHERN STANDARD BUILDING CODE REQUIREMENTS AND ARE RATED AT 100# LIVE LOAD CAPACITY.



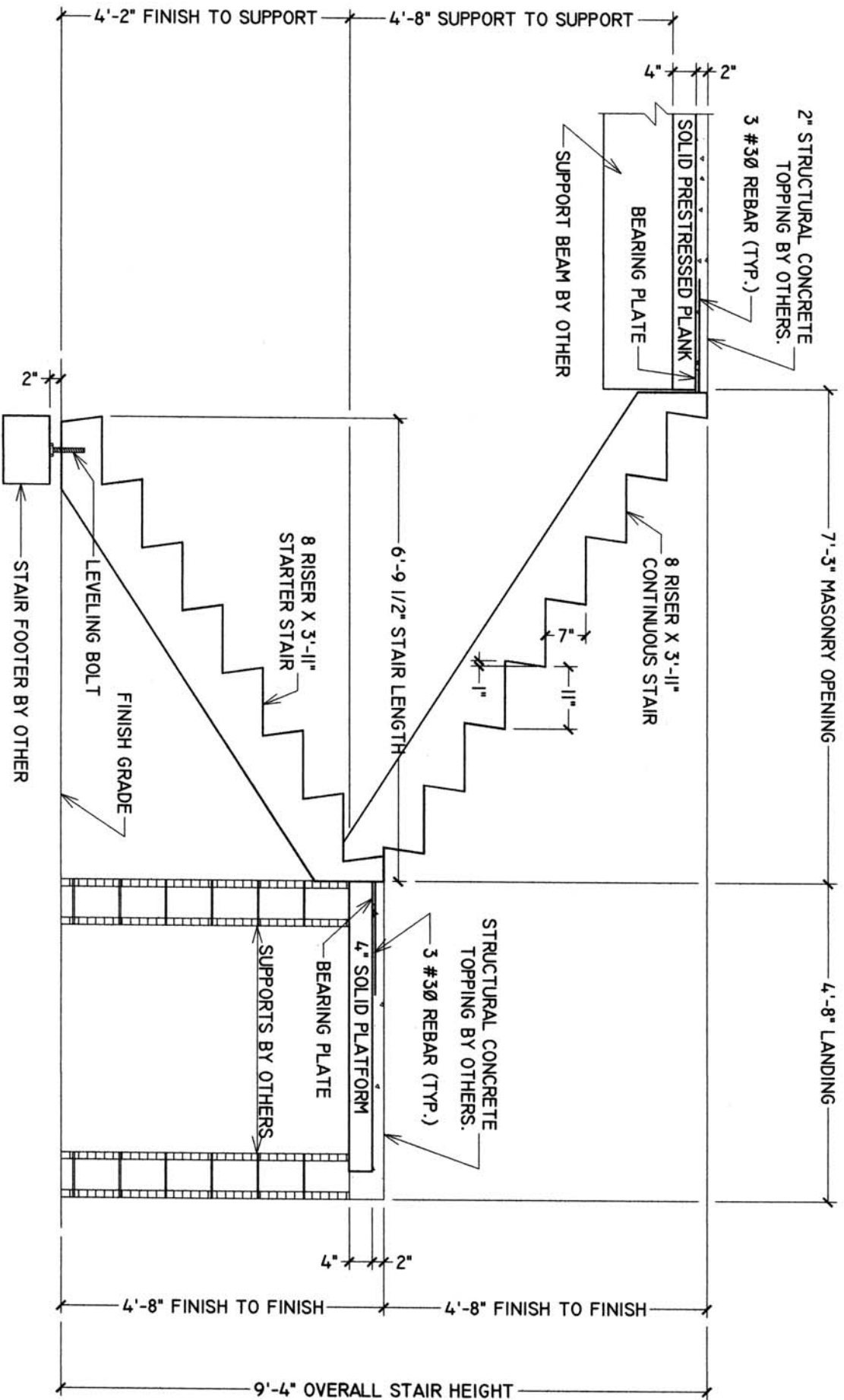
TYPICAL 8 RISER X 3'-11" CONTINUOUS STAIR - PLAN VIEW

SCALE: 1/2" = 1'-0"

ALLOW 3/4" CLEARANCE EACH SIDE WHEN PLACING STAIRS BETWEEN 2 STRUCTURES (I.E. WALLS)

GCP

GULF COAST PRECAST, INC.
2506 Precast Court Fort Myers, FL 33916
Office: (239) 337-0021 Fax: (239) 337-0081



STANDARD 3 PIECE COMBINATION STAIR ELEVATION

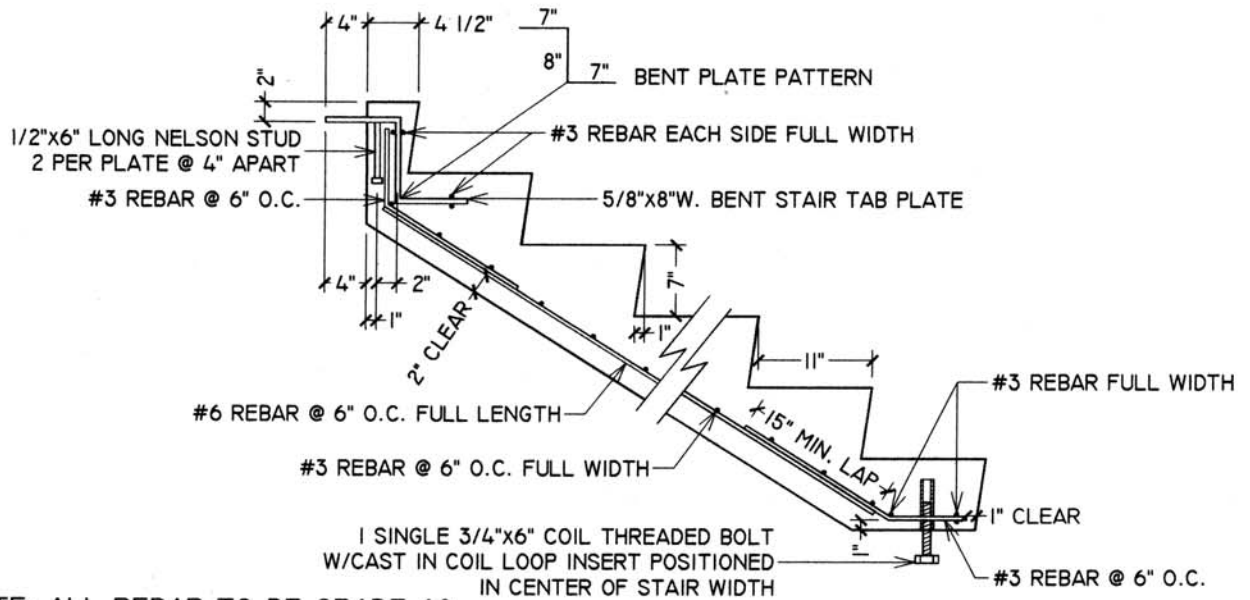
SCALE: 1/2" = 1'-0"

GCP

GULF COAST PRECAST, INC.

2506 Precast Court Fort Myers, FL 33916

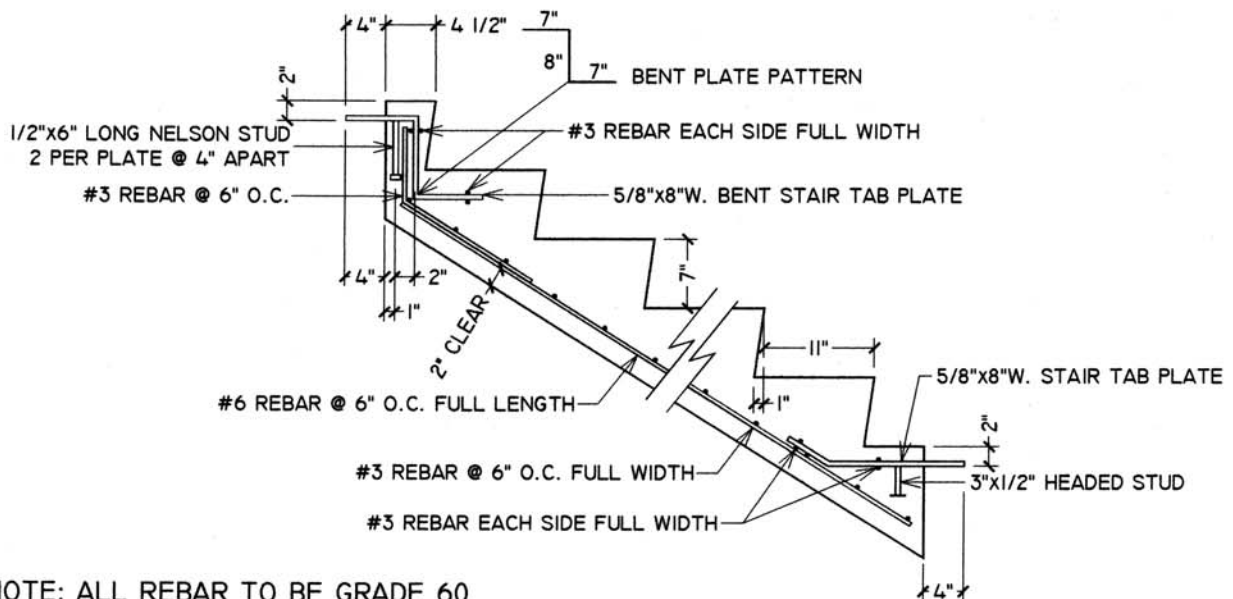
Office: (239) 337-0021 Fax: (239) 337-0081



NOTE: ALL REBAR TO BE GRADE 60
PLATES TO BE A36 MATERIAL

TYPICAL REINFORCEMENT FOR G.C.P. STARTER LIFE SAFETY STAIRS

SCALE: 3/4" = 1'-0"



NOTE: ALL REBAR TO BE GRADE 60
PLATES TO BE A36 MATERIAL

TYPICAL REINFORCEMENT FOR G.C.P. CONTINUOUS LIFE SAFETY STAIRS

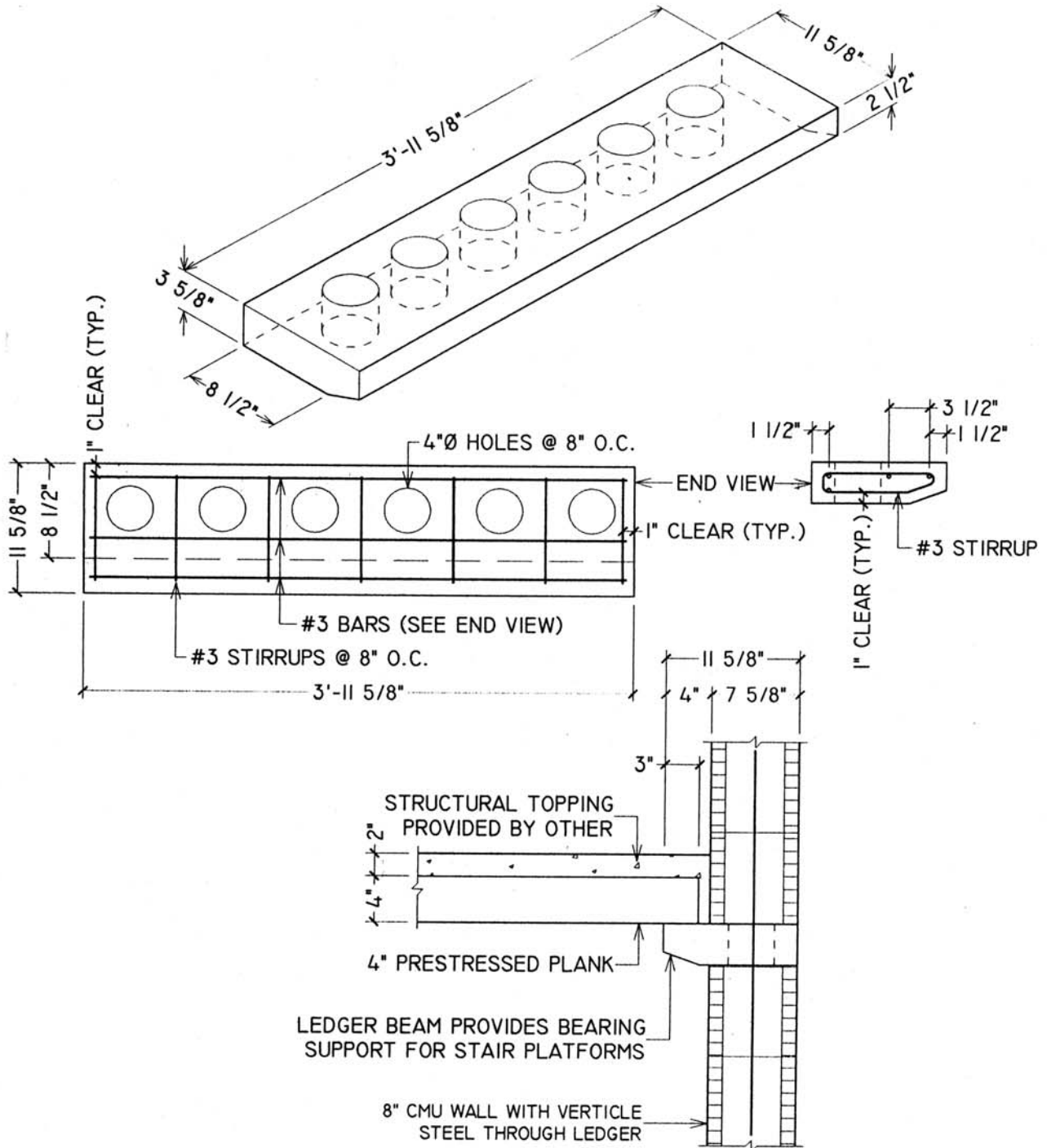
SCALE: 3/4" = 1'-0"

GCP

GULF COAST PRECAST, INC.

2506 Precast Court Fort Myers, FL 33916

Office: (239) 337-0021 Fax: (239) 337-0081



G.C.P. PRECAST LEDGER BEAM

SCALE: 1" = 1'-0"