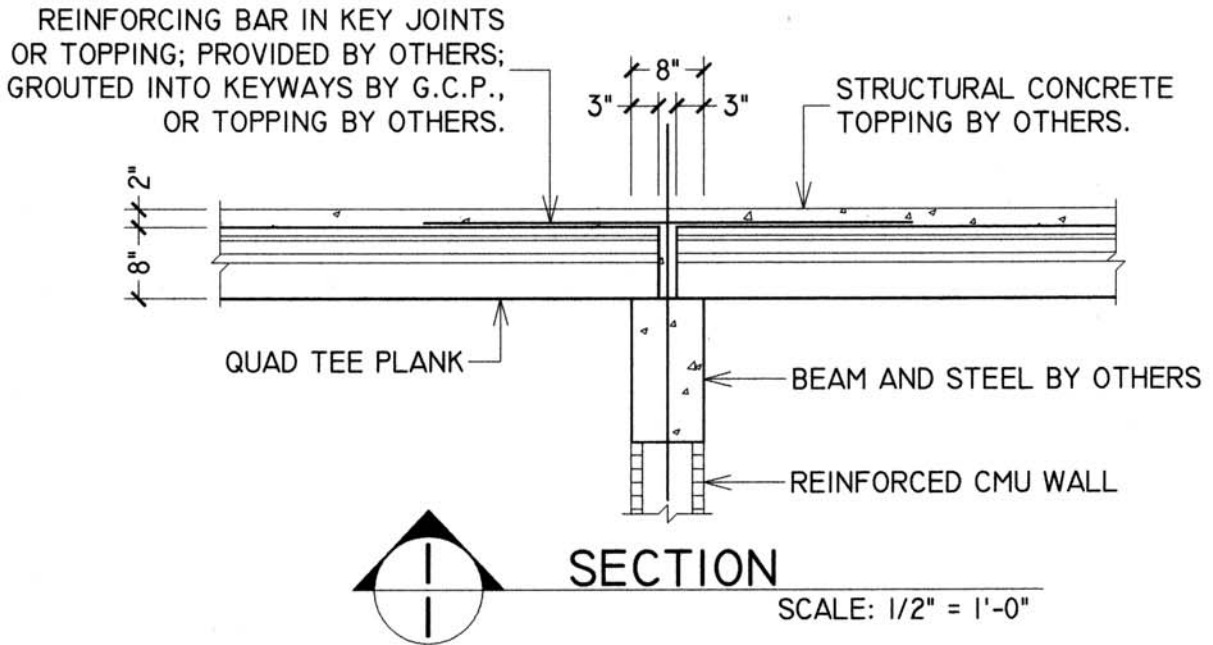


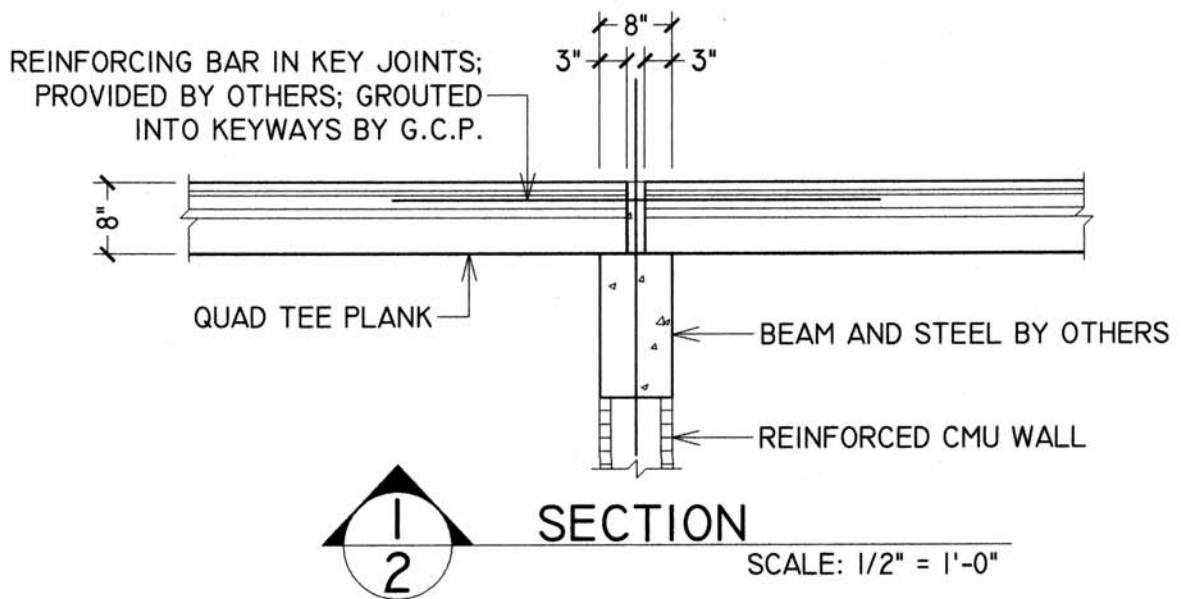
GCP

GULF COAST PRECAST, INC.

2506 Precast Court Fort Myers, FL 33916
Office: (239) 337-0021 Fax: (239) 337-0081



8" QUAD TEE MIDDLE SECTION WITH TOPPING ON A TYPICAL 8" x 16" BEAM



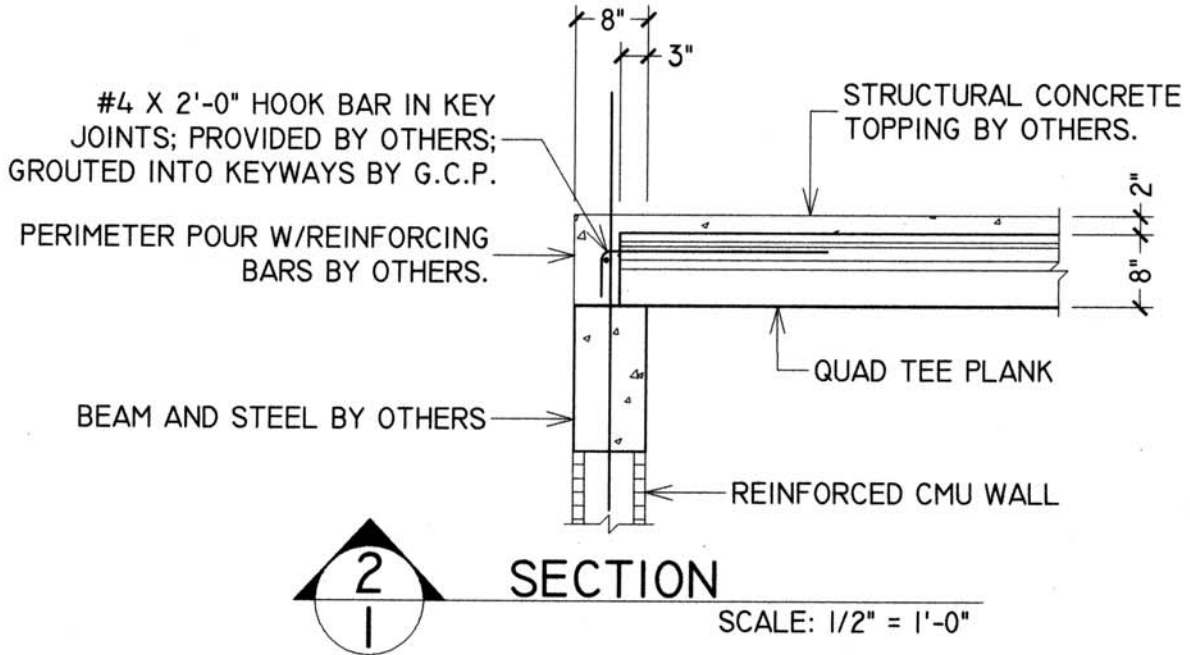
8" QUAD TEE MIDDLE SECTION WITH NO TOPPING ON A TYPICAL 8" x 16" BEAM

GCP

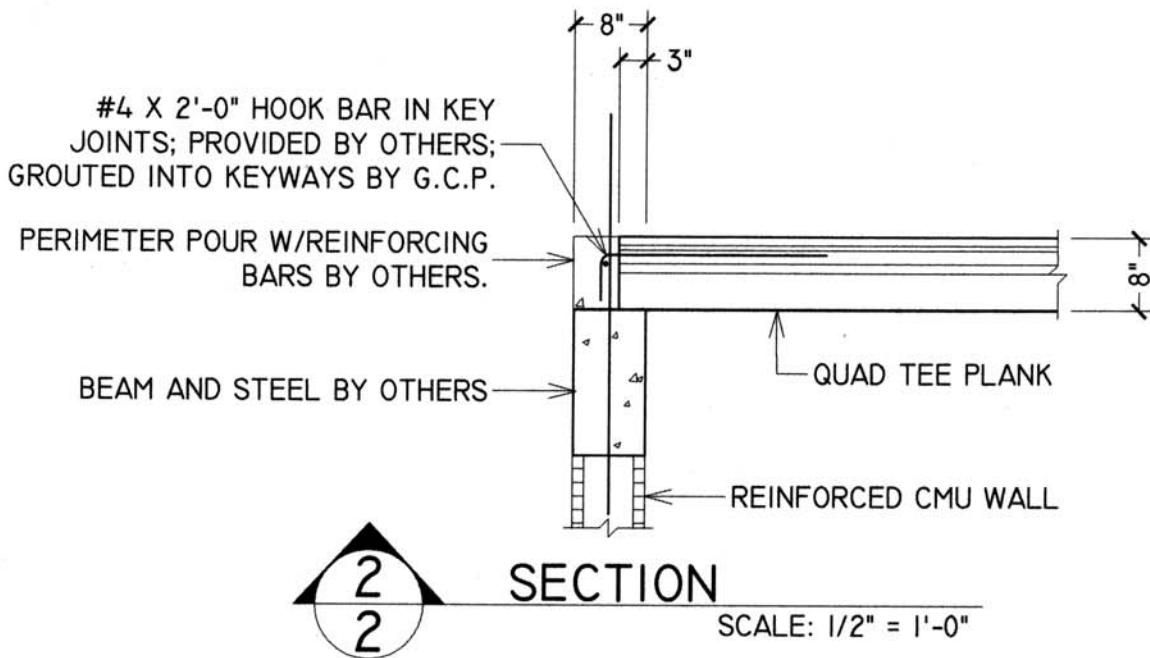
GULF COAST PRECAST, INC.

2506 Precast Court Fort Myers, FL 33916

Office: (239) 337-0021 Fax: (239) 337-0081



8" QUAD TEE END SECTION WITH TOPPING ON A TYPICAL 8" X 16" BEAM



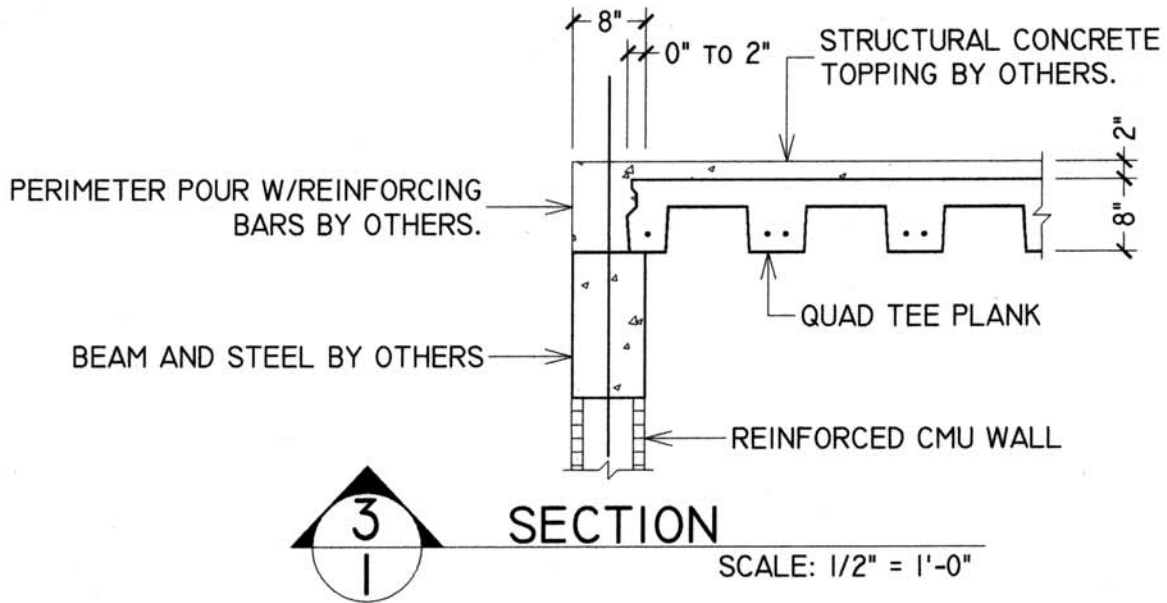
8" QUAD TEE END SECTION WITH NO TOPPING ON A TYPICAL 8" X 16" BEAM

GCP

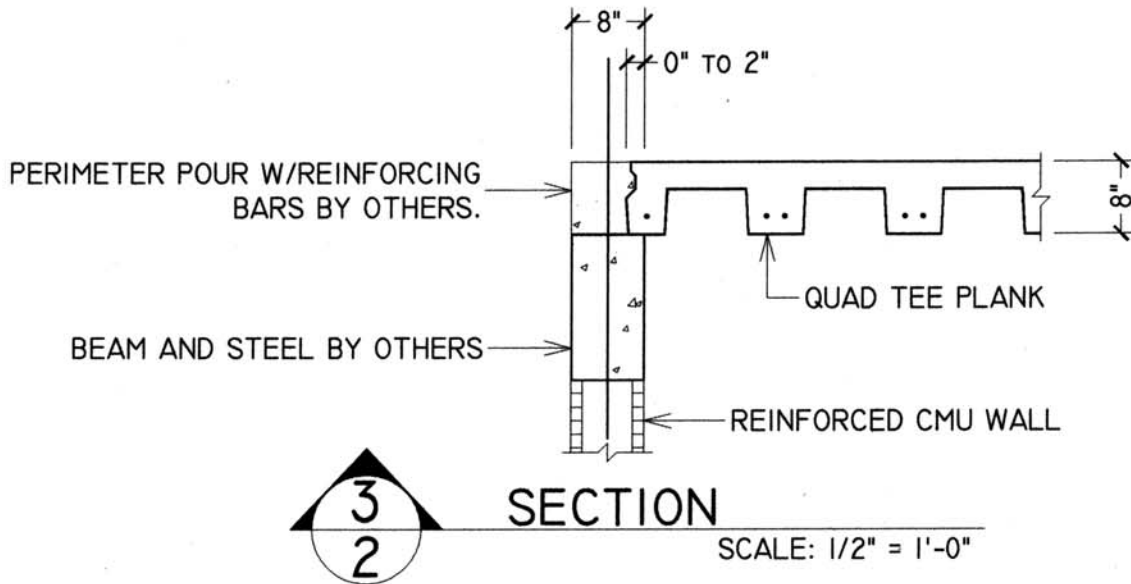
GULF COAST PRECAST, INC.

2506 Precast Court Fort Myers, FL 33916

Office: (239) 337-0021 Fax: (239) 337-0081



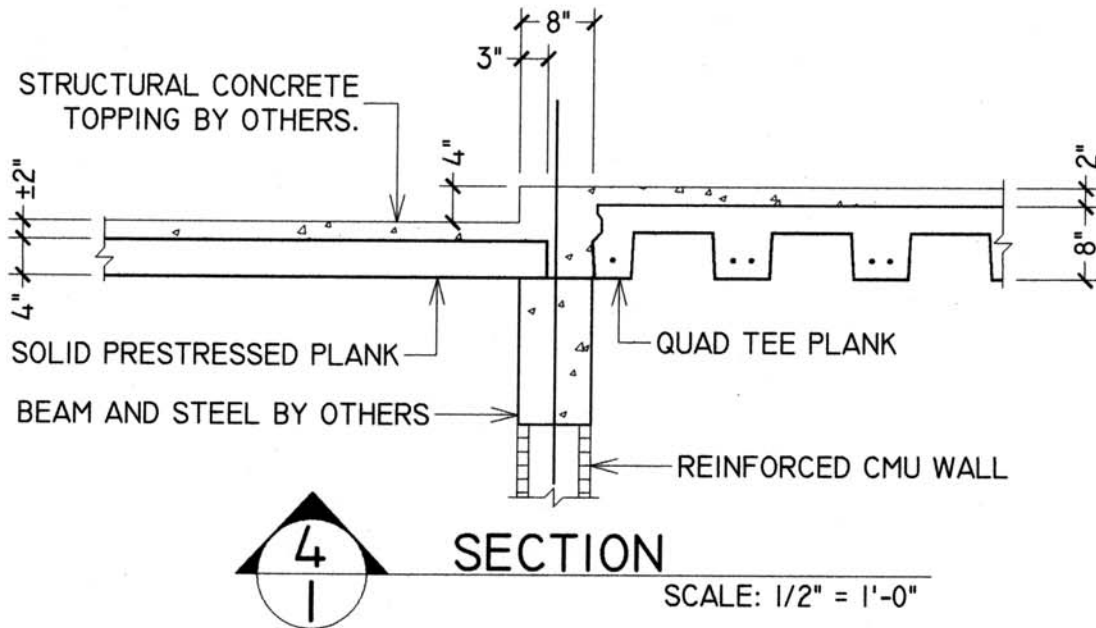
8" QUAD TEE SIDE SECTION WITH TOPPING ON A TYPICAL 8" X 16" BEAM



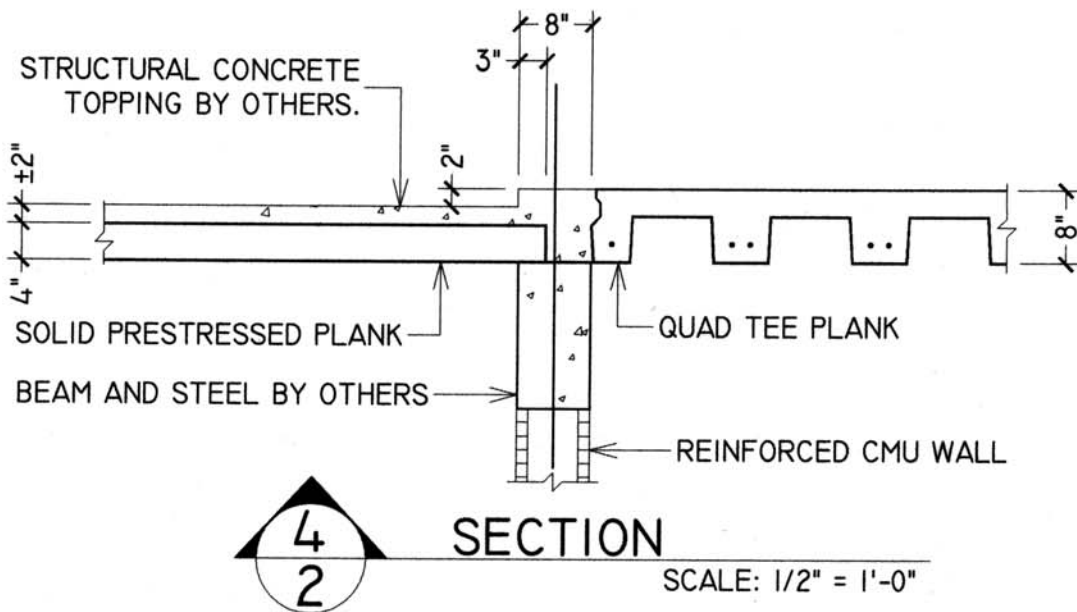
8" QUAD TEE SIDE SECTION WITH NO TOPPING ON A TYPICAL 8" X 16" BEAM

GCP

GULF COAST PRECAST, INC.
2506 Precast Court Fort Myers, FL 33916
Office: (239) 337-0021 Fax: (239) 337-0081



8" QUAD TEE AT 4" PRESTRESSED SIDE SECTION WITH TOPPING ON A TYPICAL 8" X 16" BEAM



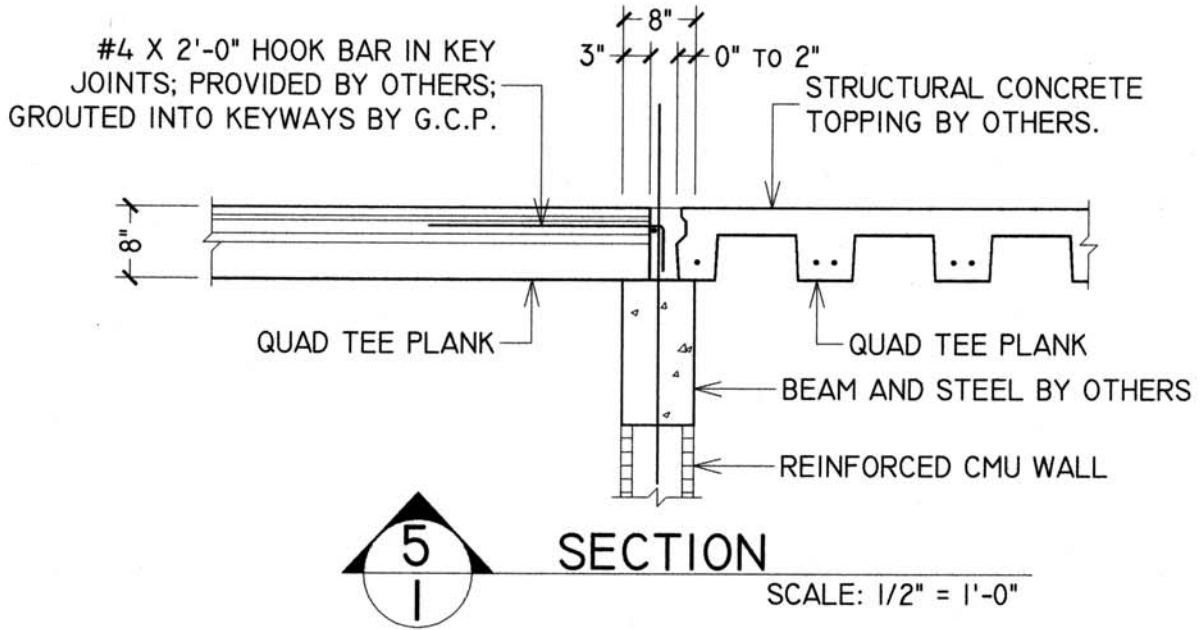
8" QUAD TEE AT 4" PRESTRESSED SIDE SECTION WITH NO TOPPING ON A TYPICAL 8" X 16" BEAM
(NO SIDE BEARING TO ALLOW DOOR TRACK TO RECESS IN EDGE POUR, WHERE ALLOWED)

GCP

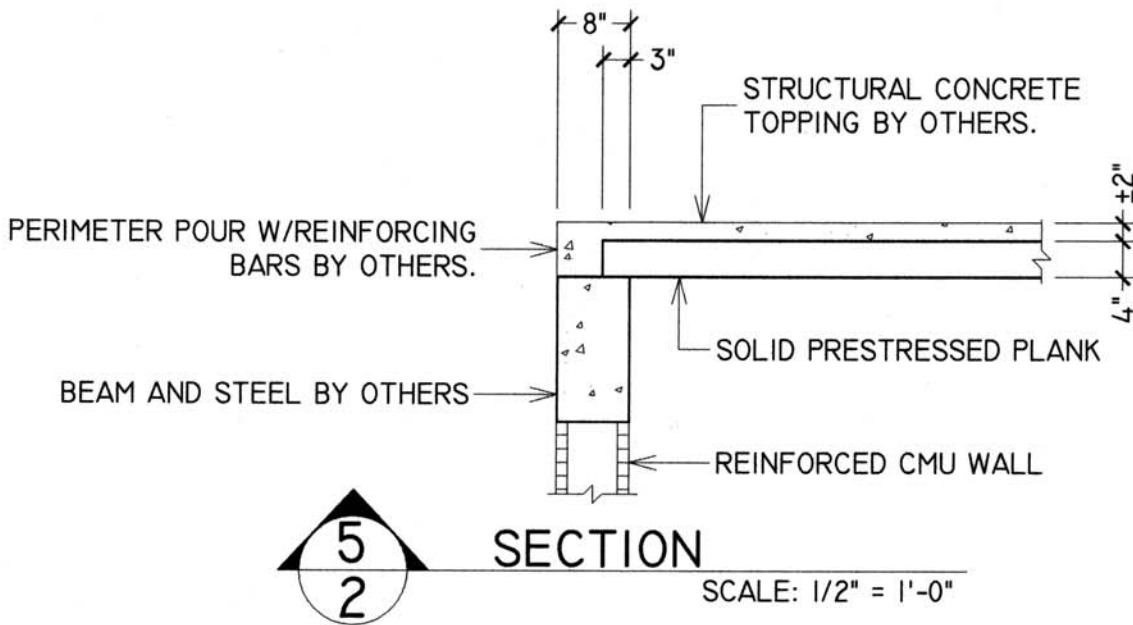
GULF COAST PRECAST, INC.

2506 Precast Court Fort Myers, FL 33916

Office: (239) 337-0021 Fax: (239) 337-0081



8" QUAD TEE END AT 8" QUAD TEE SIDE SECTION WITH NO TOPPING ON A TYPICAL 8" X 16" BEAM

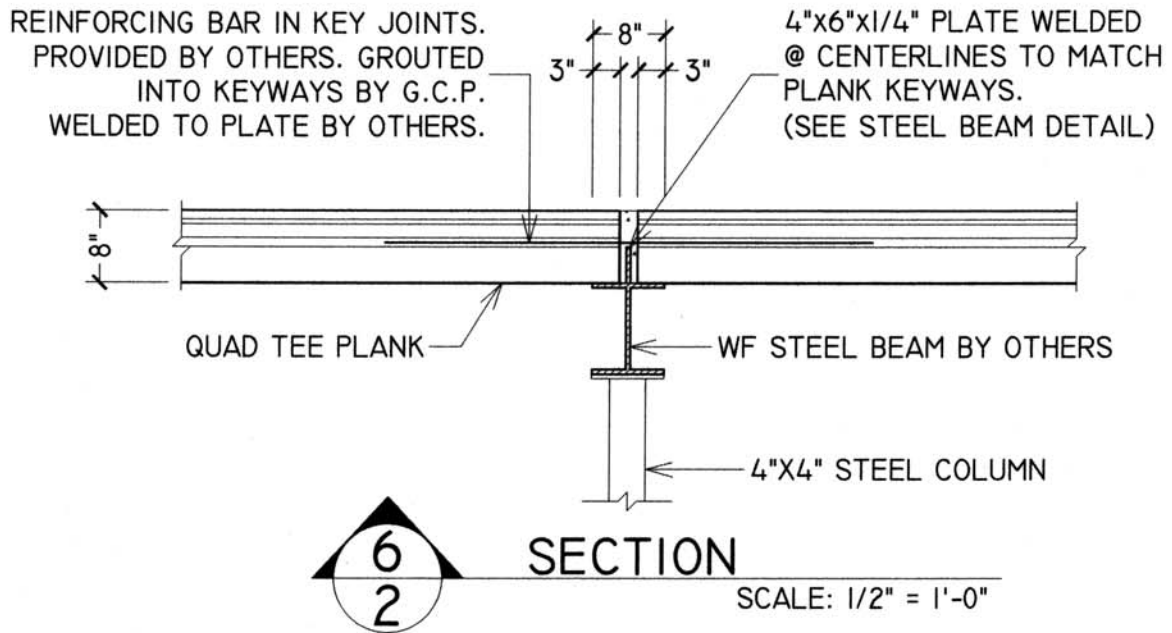


4" PRESTRESSED SIDE SECTION WITH 2" TOPPING ON A TYPICAL 8" X 16" BEAM

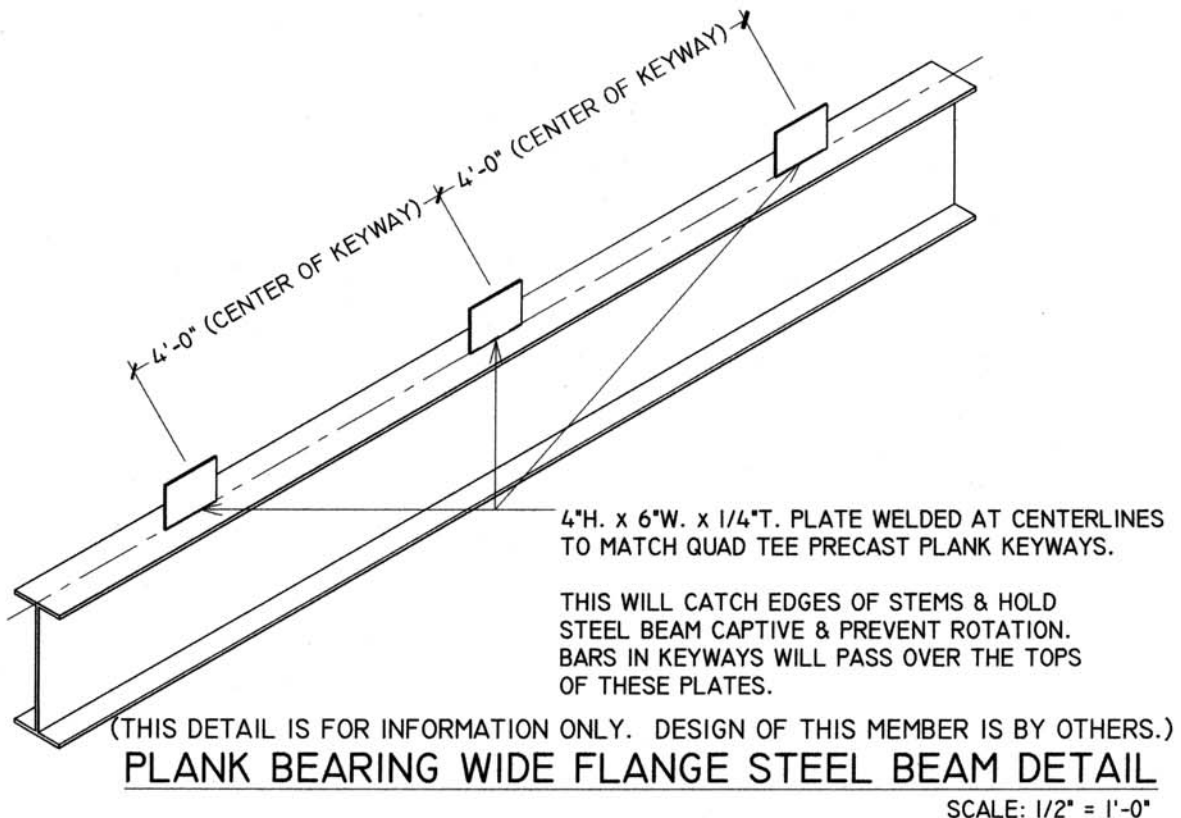
GCP

GULF COAST PRECAST, INC.

2506 Precast Court Fort Myers, FL 33916
Office: (239) 337-0021 Fax: (239) 337-0081



8" QUAD TEE MIDDLE SECTION WITH NO TOPPING ON WIDE FLANGE STEEL BEAM
(STEEL BEAM WITH A MINIMUM WIDTH OF 8" PREFERRED)

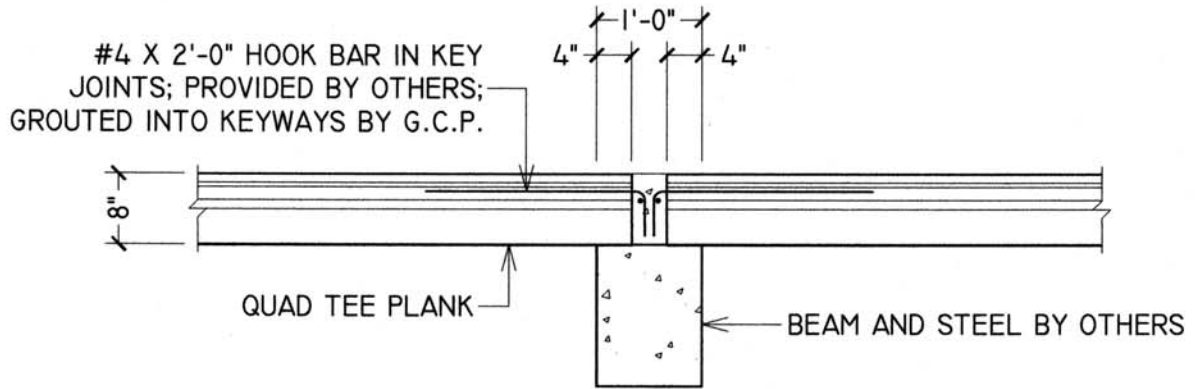


GCP

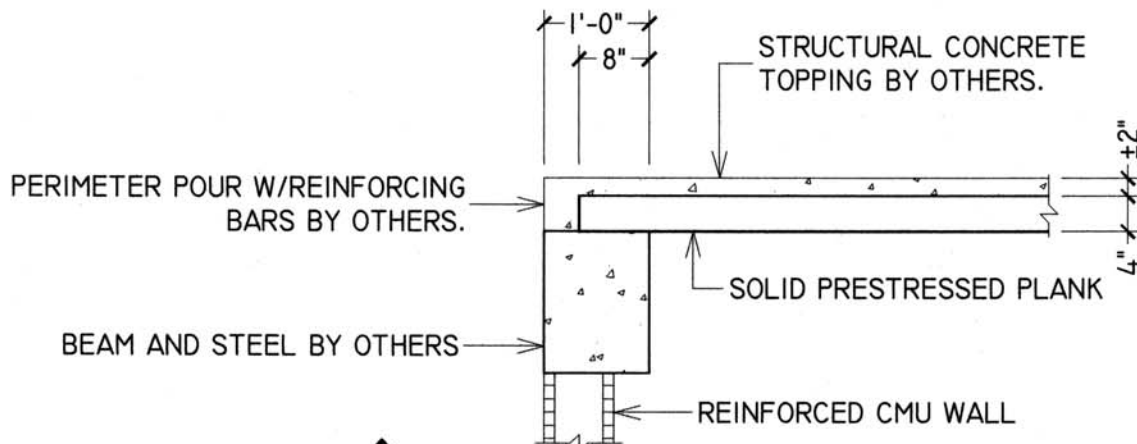
GULF COAST PRECAST, INC.

2506 Precast Court Fort Myers, FL 33916

Office: (239) 337-0021 Fax: (239) 337-0081



8" QUAD TEE MIDDLE SECTION WITH NO TOPPING ON A 12" X 16" BEAM



4" PRESTRESSED END SECTION WITH TOPPING ON A 12" X 16" BEAM